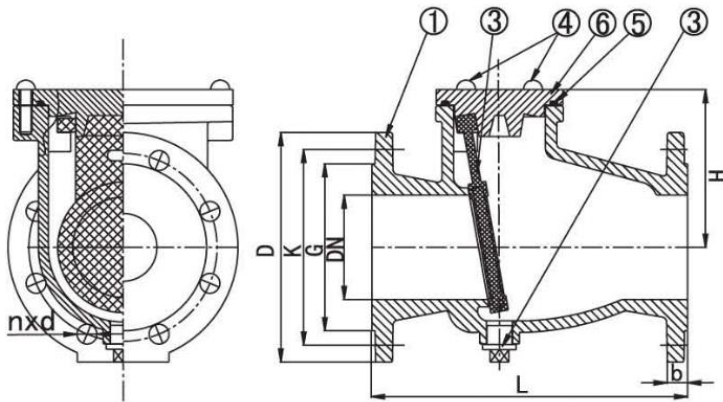


Válvulas de retención / Check valves / Rückschlag Klappen

- **Modelo VR400: Válvulas de retención de CLAPETA OSCILANTE DN50 to DN300 PN10 / PN16**

- Resilient seat swing check valve DN50-DN300 PN10 / PN16
- Working pressure PN10/16;
- Maximum temperature -10° - +80°;
- Suitable for water, sewage and neutral liquid;
- CE approved.

- Design: EN1074-3;
- Flange: EN1092-2;
- Face to face: EN558-1;
- Test: EN12266-1;
- Coating: EN30677.



STANDARD MATERIALS OF MAIN PARTS		
ITEM	PART NAME	MATERIAL
1	Body	Ductile iron GGG-50
2	Plug	X20Cr13
3	Wedge Coating	NBR / EPDM
4	Bolt	Steel zincked 8.8
5	Gland	NBR
6	Bonnet	Ductile iron GGG-50

DIMENSIONS											
DN	L	H	b	EN 1092-2 PN10				EN 1092-2 PN16			
				G	K	D	n-d	G	K	D	n-d
50	200	115	19	104	125	165	4-ø19	104	125	165	4-ø19
65	240	125	19	118	135	185	4-ø19	118	135	185	4-ø19
80	260	140	19	134	160	200	4-ø19	134	160	200	8-ø19
100	300	150	19	160	180	220	8-ø19	160	180	220	8-ø19
125	350	165	19	182	210	250	8-ø19	182	210	250	8-ø19
150	400	180	19	212	240	285	8-ø23	212	240	285	8-ø23
200	500	205	20	270	295	340	8-ø23	270	295	340	12-ø23
250	600	246	24	320	350	405	12-ø23	320	355	405	12-ø28
300	700	285	26	370	400	460	12-ø23	370	410	460	12-ø28