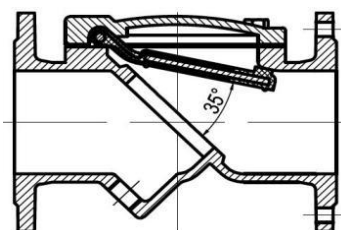
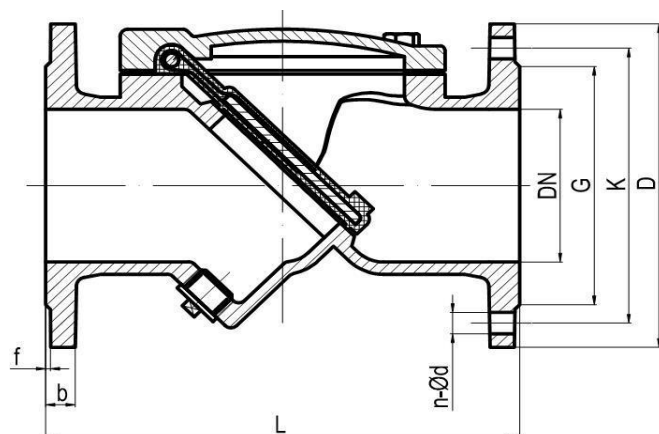
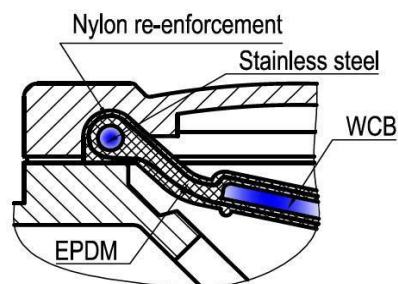


• Modelo VR300: Válvulas de retención de CLAPETA OSCILANTE DN 50 a DN 800 PN10 / PN16

- Swing check valve DN50 to DN800 PN10 / PN16
- Design: BS EN 5153
- Face to Face: EN558-1
- Tests: EN12266
- Working Temp.: 0~80°C
- Nominal Pressure: PN10 - PN16
- Coating: Fusion bond epoxy



STANDARD MATERIALS OF MAIN PARTS		
ITEM	PART NAME	MATERIAL
1	Body	Ductile iron GGG-50
2	Bonnet	Ductile iron GGG-50
3	Disc	WCB + EPDM
4	Gasket	NBR
5	Pin	Stainless steel
6	Bolt	Stainless steel



DIMENSIONS							
DN	L	D	K	G	b	f	n-Ød
DN50	203	165	125	99	19	3	4-Ø19
DN65	216	185	145	118	19	3	4-Ø19
DN80	241	200	160	132	19	3	8-Ø19
DN100	292	220	180	156	19	3	8-Ø19
DN125	330	250	210	184	19	3	8-Ø19
DN150	356	285	240	211	19	3	8-Ø23
DN200	495	340	295	266	20	3	12-Ø23
DN250	622	405	355	319	22	3	12-Ø28
DN300	698	460	410	370	24.5	4	12-Ø28
DN350	787	520	470	429	26.5	4	16-Ø28
DN400	914	580	525	480	28	4	16-Ø31
DN450	965	640	585	548	30	4	20-Ø31
DN500	1067	715	650	609	31.5	4	20-Ø34
DN600	1219	840	770	720	36	5	20-Ø37
DN700	1448	910	840	794	39.5	5	24-Ø37
DN800	1956	1025	950	901	43	5	24-Ø40