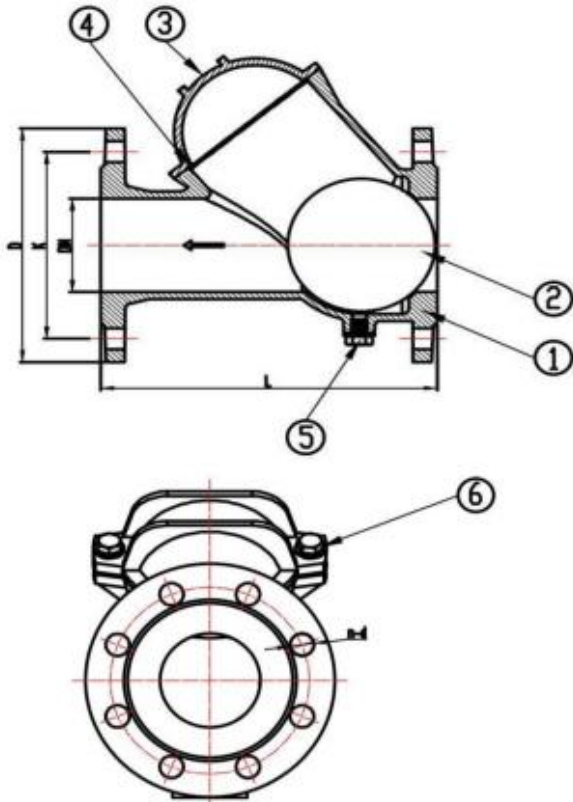


• Modelo VR200 : Válvulas de retención de BOLA

- Ball check valve for sewage water DN50 to DN300 PN10 / PN16
- Design: BS5153, MSS SP - 71
- Face to Face: BS5153, ASME B16.10, DINF6
- Tests: EN12266
- Working Temp.: 0~80°C
- Nominal Pressure: PN10 - PN16
- Coating: Fusion bond epoxy



STANDARD MATERIALS OF MAIN PARTS		
ITEM	PART NAME	MATERIAL
1	Body	Ductile iron
2	Ball	Aluminum alloy + NBR
3	Bonnet	Ductile iron
4	Nut	Carbon Steel
5	Plug	Carbon Steel
6	Bolt	Carbon Steel
7	Gasket	Nylon

DIMENSIONS												
DN	OUTLINE mm			END FLANGE PN10/16-CL125/150 mm.								
	BS5153	ASME	DIN-F6	EN 1092-2			ASME B16.1/B16.42			AS4087		
	L			D	K	n-d	D	K	n-d	D	K	n-d
50	203	203	200	165	125	4-ø19	152	120.5	4-ø19	—	—	—
65	216	216	240	185	145	4-ø19	178	139.5	4-ø19	—	—	—
80	241	241	260	200	160	8-ø19	191	152.5	4-ø19	185	146	4-ø18
100	292	292	300	220	180	8-ø19	229	190.5	8-ø19	215	178	4-ø18
125	330	330	350	250	210	8-ø19	254	216	8-ø22	—	—	—
150	356	356	400	285	240	8-ø23	279	241.5	8-ø22	280	235	8-ø18
200	495	495	500	340	295	8-ø23/12-ø23	343	298.5	8-ø22	335	292	8-ø18
250	622	622	600	395/405	350/355	12-ø23/12-ø28	406	362	12-ø25	405	356	8-ø22
300	699	699	700	445/460	400/410	12-ø23/12-ø28	483	432	12-ø25	455	406	12-ø22