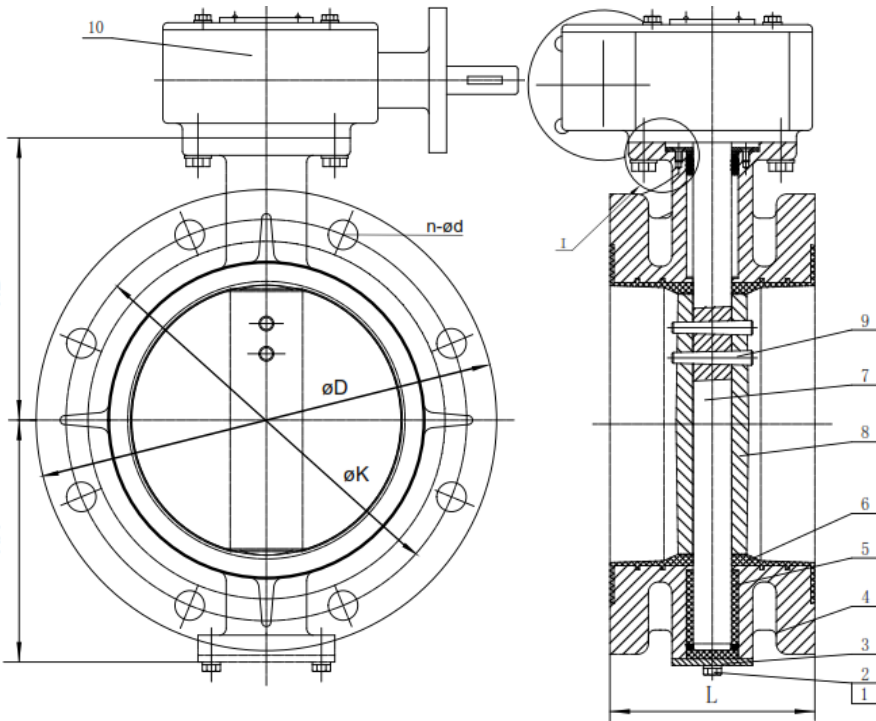
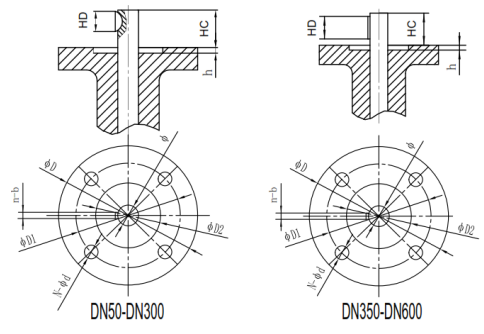


### • Modelo ML - Flanged serie 13 DN40 a DN600 PN10 / PN16

- DIN EN558 serie 13 larga / DIN EN 558 series 13 long / DIN EN558 Reihe 13
- Comply with BS5155/EN593/MSS SP-67
- Top flange according to ISO5211
- Flanges dimensions conform to EN1092-2 PN10/PN16,
- Also available in class #150
- Disc: DI+Ni plated, SS304, SS316 and SS431
- Working Temperature
  - 10 °C to 120°C for EPDM seat
  - 10 °C to 85°C for NBR seat
  - 10 °C to 150°C for Viton seat



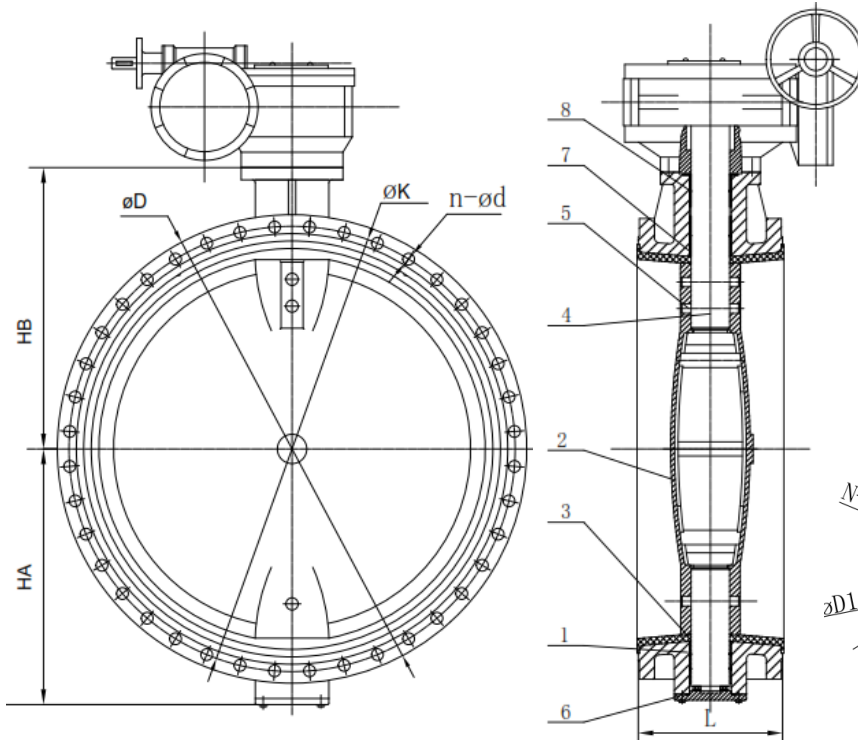
STANDARD MATERIALS OF MAIN PARTS		
ITEM	PART NAME	MATERIAL
1	Bolt	SS304
2	Washer	SS304
3	Cover	GGG-40
4	Body	GGG-40
5	Brushing	Bronze
6	Seat	NBR/EPDM
7	Shaft	SS410
8	Disc	DI/SS
9	PIN	SS304
10	Gear Box	CI



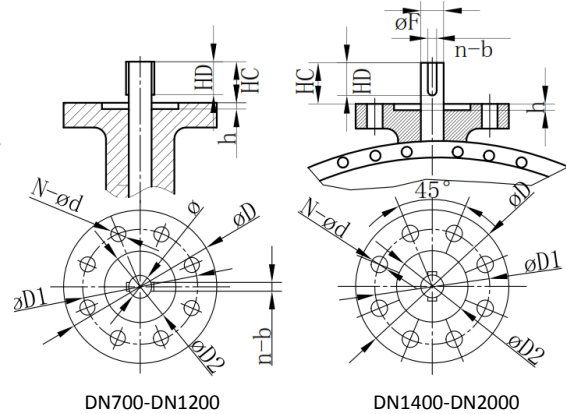
DIMENSIONS																			
DN	HA	HB	L	PN10			PN16			øD	øD1	øD2	n-ød1	n-b		HC	HD	øF	h
				D	øk	n-ød	D	øk	n-ød					PN10	PN16				
DN50	110	80	108	165	125	4-ø18	165	125	4-ø18	65	50	35	4-ø8	1-ø3	32	12.7	12.6	3	
DN65	134	80	112	185	145	4-ø18	185	145	4-ø18	65	50	35	4-ø8	1-ø3	32	12.7	12.6	3	
DN80	131	95	114	200	160	8-ø18	200	160	8-ø18	65	50	35	4-ø8	1-ø3	32	12.7	12.6	3	
DN100	150	114	127	220	180	8-ø18	220	180	8-ø18	90	70	55	4-ø10	1-ø5	32	18.6	15.77	3	
DN125	170	113	140	250	210	8-ø18	250	210	8-ø18	90	70	55	4-ø10	1-ø5	32	18.6	18.92	3	
DN150	180	139	140	285	240	8-ø23	285	240	8-ø23	90	70	55	4-ø10	1-ø5	32	18.6	18.92	3	
DN200	210	175	152	340	295	8-ø23	340	295	12-ø23	125	102	70	4-ø12	1-ø5	45	18.6	22.1	3	
DN250	245	203	165	395	350	12-ø23	405	355	12-ø27	125	102	70	4-ø12	1-ø8	45	27.4	28.5	3	
DN300	276	242	178	445	400	12-ø23	460	410	12-ø27	125	102	70	4-ø12	1-ø8	45	27.4	31.7	3	
DN350	328	256	190	505	460	16-ø23	520	470	16-ø27	125	102	70	4-ø12	1-ø10	45	40	31.7	3	
DN400	376	296	216	565	515	16-ø28	580	525	16-ø30	175	140	100	4-ø18	1-ø10	52	45	33.15	4	
DN450	406	315	222	615	565	20-ø28	640	585	20-ø30	175	140	100	4-ø18	1-ø10	52	45	38	4	
DN500	448	352	229	670	620	20-ø28	715	650	20-ø33	175	140	100	4-ø18	1-ø12	64	55	41.15	4	
DN600	518	441	267	895	840	24-ø31	840	770	20-ø36	210	165	130	4-ø22	1-ø16	70	63	50.65	5	

### • Modelo ML - Flanged serie 13 DN700 a DN1200 PN10 / PN16

- DIN EN558 serie 13 larga / DIN EN 558 series 13 long / DIN EN558 Reihe 13
- Comply with BS5155/EN593/MSS SP-67
- Top flange according to ISO5211
- Flanges dimensions conform to EN1092-2 PN10/PN16,
- Also available in class #150
- Disc: DI+Ni plated, SS304, SS316 and SS431
- Working Temperature
  - 10 °C to 120°C for EPDM seat
  - 10 °C to 85°C for NBR seat
  - 10 °C to 150°C for Viton seat



STANDARD MATERIALS OF MAIN PARTS		
ITEM	PART NAME	MATERIAL
1	Body	GGG40
2	Disc	DI/SS
3	Seat	NBR/EPDM
4	Stem	SS410/420/431
5	Taper Pin	SS
6	End Cover	GGG40
7	Bushing	Bronze
8	O Ring	EPDM



DIMENSIONS																		
DN	HA	HB	L	PN10			PN16			øD	øD1	øD2	n-ød1	n-b	HC	HD	øF	h
				D	øk	n-ød	D	øk	n-ød									
DN700	560	473	292	895	840	24-ø31	910	840	24-ø36	300	254	200	8-ø18	2-ø18	85	63	63.35	5
DN800	620	527	318	1015	950	24-ø34	1025	950	24-ø39	300	254	200	8-ø18	2-ø18	85	100	63.35	5
DN900	685	581	330	1115	1050	28-ø34	1125	1050	28-ø39	300	254	200	8-ø18	2-ø20	118	100	75	5
DN1000	735	653	410	1230	1160	28-ø37	1255	1170	28-ø42	300	254	200	8-ø18	2-ø22	130	140	85	5
DN1200	917	796	479	1455	1380	32-ø41	1485	1390	32-ø48	350	298	230	8-ø22	2-ø28	150	140	105	5
DN1400	1000	1835	538	1675	1590	36-ø44	1685	1590	36-ø48	415	356	260	8-ø32	2-ø32	200	180	120	5
DN1600	1150	1955	610	1915	1820	40-ø50	1930	1820	40-ø56	415	356	260	8-ø32	2-ø36	200	180	140	5
DN1800	1200	2024	682	2115	2020	44-ø50	2130	2020	44-ø56	475	406	300	8-ø40	2-ø40	280	260	160	8
DN2000	1360	2198	772	2325	2230	48-ø50	2345	2230	48-ø62	475	406	300	8-ø40	2-ø40	280	260	160	8